

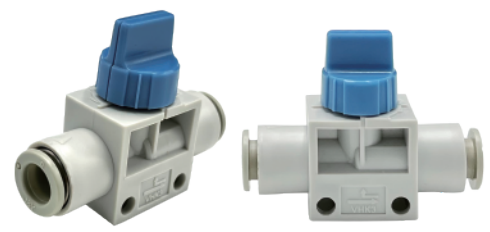
# Vacuum valve Valve (manual) HVHK



P: Quick change connector A: Quick change connector

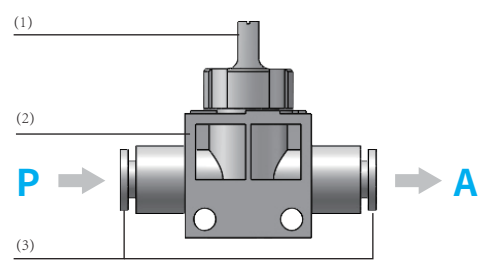
## Product characteristics

- \*Maximum effective cross-sectional area 2.0-17.5mm<sup>2</sup>
- \*The minimum operating torque distance is 0.004~0.1N. m
- \*Full range piping outer diameter Φ 4 incidents
- \*When the rotary knob of the 3-way valve is closed, residual gas from side A is discharged (there is no exhaust port in the valve body, and it is discharged along the knob structure)



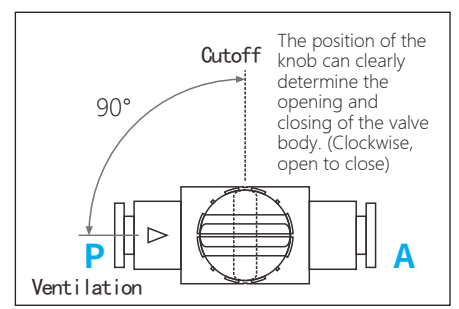
## Product structure

- \*As an accessory for vacuum sensors
- \*Knob (1) Material POM
- \*Main body (2) material PBT
- \*Release sleeve (3)



## Product advantages

- \*Suitable for many automation fields in industry, installed on the gas circuit to act as a switch
- \*Using high-quality PBT material, with good pressure resistance and sealing, durable and long-lasting



## Vacuum valve

### Valve (manual) HVHK

P: Quick change connector A: Quick change connector

**HANWHA**


Utility



#### HVHK Ordering NO

HVHK	–	2	–	P	–	A
1		2		04F		04F
				3		3

1-Series		2-Way	
HVHK	Valve	2	2-way
		3	3-way

3-Interface diameter	
04F	Φ4Quick change connector
06F	Φ6Quick change connector
08F	Φ8Quick change connector
10F	Φ10Quick change connector
12F	Φ12Quick change connector



#### HVHK Technical Data

Models	Valve type	Using fluids	Maximum operating pressure	Vacuum usage pressure	Temperature of environment and fluid used	Suitable hose material
HVHK□-04F-04F	2-way, 3-way	air	1.0MPa	-100kpa{10Torr}	0~60°C	Nylon, soft nylon, polyurethane
HVHK□-06F-04F	2-way, 3-way	air	1.0MPa	-100kpa{10Torr}	0~60°C	Nylon, soft nylon, polyurethane
HVHK□-06F-06F	2-way, 3-way	air	1.0MPa	-100kpa{10Torr}	0~60°C	Nylon, soft nylon, polyurethane
HVHK□-08F-06F	2-way, 3-way	air	1.0MPa	-100kpa{10Torr}	0~60°C	Nylon, soft nylon, polyurethane
HVHK□-08F-08F	2-way, 3-way	air	1.0MPa	-100kpa{10Torr}	0~60°C	Nylon, soft nylon, polyurethane
HVHK□-10F-08F	2-way, 3-way	air	1.0MPa	-100kpa{10Torr}	0~60°C	Nylon, soft nylon, polyurethane
HVHK□-10F-10F	2-way, 3-way	air	1.0MPa	-100kpa{10Torr}	0~60°C	Nylon, soft nylon, polyurethane
HVHK□-12F-10F	2-way, 3-way	air	1.0MPa	-100kpa{10Torr}	0~60°C	Nylon, soft nylon, polyurethane
HVHK□-12F-12F	2-way, 3-way	air	1.0MPa	-100kpa{10Torr}	0~60°C	Nylon, soft nylon, polyurethane



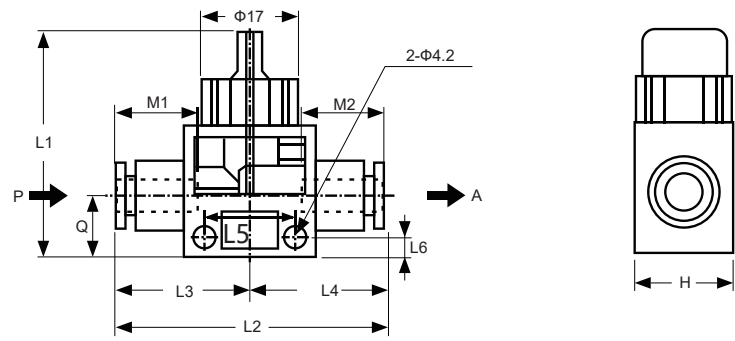
# Vacuum valve

## Valve (manual) HVHK



P: Quick change connector A: Quick change connector

### HVHK Specification



HVHK

Size[mm]

Models	P□	A□	H	L1	L2	L3	L4	L5	L6	M1	M2	Q	P→A	A→R
HVHK□-04F-04F	Φ4	Φ4	18	41	47.6	23.8	23.8	16.5	3.5	15.8	15.8	11	3.4	1.2
HVHK□-06F-04F	Φ6	Φ4	18	41	48	24.3	23.7	16.5	3.5	16.8	15.8	11	5.1	1.2
HVHK□-06F-06F	Φ6	Φ6	18	41	48.6	24.3	24.3	16.5	3.5	16.8	16.8	11	7.2	1.2
HVHK□-08F-06F	Φ8	Φ6	18	41	50.5	26.2	24.3	16.5	3.5	18.7	16.8	11	9	1.2
HVHK□-08F-08F	Φ8	Φ8	18	41	52.4	26.2	26.2	16.5	3.5	18.7	18.7	11	9.7	1.2
HVHK□-10F-08F	Φ10	Φ8	22	46	58.5	30.5	28	21.5	4	20.8	18.7	14	13.7	3.2
HVHK□-10F-10F	Φ10	Φ10	22	46	61	30.5	30.5	21.5	4	20.8	20.8	14	16.1	3.2
HVHK□-12F-10F	Φ12	Φ10	22	46	62	31.5	30.5	21.5	4	21.8	20.8	14	17	3.2
HVHK□-12F-12F	Φ12	Φ12	22	46	63	31.5	31.5	21.5	4	21.8	21.8	14	17.5	3.2