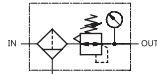
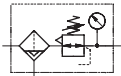


Vacuum valve

Filter pressure reducing valve OFR

Pressure resistance 1.5MPa (15kgf/cm²)**HANWHA**

Utility

Condensate drain
Turned manuallyCondensate drain
Semi-or fully automatic

The filter and pressure reducing valve form a separate device that can filter liquid oil, condensate, and impurities in the air. For special applications, 5 μ The filter element is easy to replace μ The standard filter element of m. Even if there are system fluctuations in input pressure and compressed air consumption, the pressure reducing valve can ensure that its set working pressure is very stable.



OFR Ordering NO

OFR	—	G01	—	B
1		2		3

1-Series	2-Caliber	3- Drainage method
OFR	Filter pressure reducing valve	
	G01	G1/8
	G02	G1/4
	G03	G3/8
	G04	G1/2
	G05	G3/4
		B
		G
		D
		S
		A
		Bracket
		Pressure gauge
		Manual
		Semi-automatic
		Automatic

Vacuum valve



Filter pressure reducing valve OFR



Utility

Pressure resistance 1.5MPa(15kgf/cm²)

OFR Technical Data

Size		MINI			MIDI			MAXI	
Medium		Compressed air							
Features of structure		Sintered filter with water separator ; MINI/MIDI : Diaphragm type regulator; MAXI : Piston regulator							
Mounting type		Pipe mounting or foot mounting							
Assembly position		Vertical ±5°							
Connection		G1/8	G1/4	G3/8	G3/8	G1/2	G3/4	G3/4	G1
Standard nominal flow rate	OFR(-A)	750	1400	1600	3100	3400	3400	9700	10000
	OFR-7(-A)	900	1500	1700	3400	3900	4000	10000	11000
	OFR-5M(-A)	650	1200	1350	2400	2500	2600	7600	8000
Primary pressure	Manual condensate drain	1~16bar							
	Automatic condensate drain	1.5~12bar							
Working pressure		0.5~12bar/0.5~7bar							
Grade of filtration		40µm/5µm							
Max.condensate capacity		22ml			43ml			80ml	
Temperature range		0~60°C							
Materials information		Housing : Zinc die-casting ; Filter bowl : PC Metal bowl guard : Aluminium alloy ; Sealing : NBR ; Adjusting knob : POM							

Vacuum valve



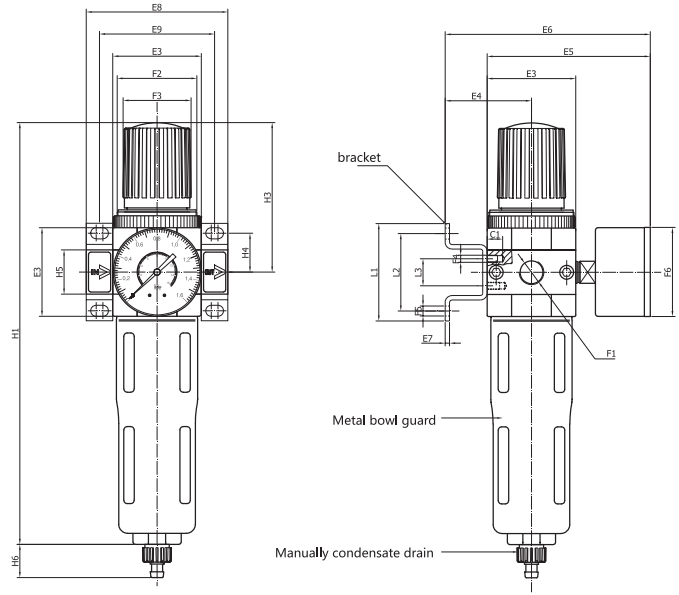
Filter pressure reducing valve OFR



Utility

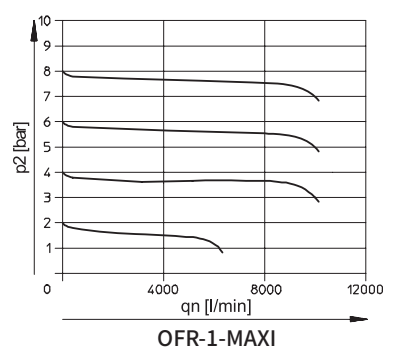
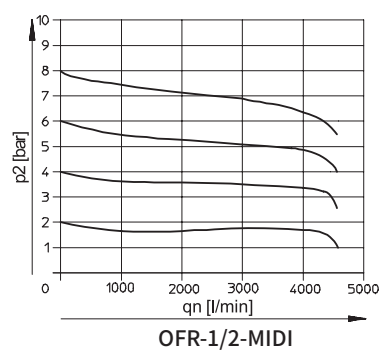
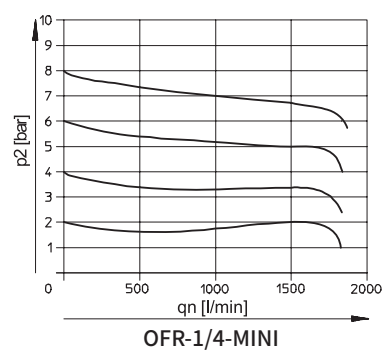
Pressure resistance 1.5MPa (15kgf/cm²)

OFR Design Data



OFR

Models	E3	E4	E5	E6	E8	E9	F1	F2	F3Ø	F4	F5Ø	F6Ø	L1	L2	L3	H1	H3	H4	H5	H6
OFR-...-MINI	40	39	76	95	64	52	G1/8,G1/4,G3/8	M36*1.5	31	M4	4.5	40	44	35	11	194	69	17.5	20	15
OFR-...-MIDI	55	47	93	112	85	70	G1/8,G1/2,G3/4	M52*1.5	50	M5	5.5	52	71	60	22	250	98	24.5	32	15
OFR-...-MAXI	66	53	104	124	96,116	80,91	G3/4,G1	M36*1.5	31	M5	5.5	63	71	60	22	252	80	24.5	32,40	15



* 输入压力 Primary pressure: p₁=10 bar

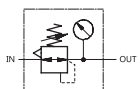
Vacuum valve



Pressure regulating valve OR



Adjusting pressure range Adjusting pressure range 0.05 ~ 0.85MPa



The OR maintain imputting constant operating pressure despite fluctuation in line pressure and the amount of air consumed.

OR Ordering NO

OR	—	G01	—	B
1		2		3

1-Series	
OR	Pressure reducing valve

2-Caliber	
G01	G1/8
G02	G1/4
G03	G3/8
G04	G1/2
G05	G3/4

3- Drainage method	
B	Bracket
G	Pressure gauge

Vacuum valve

Pressure regulating valve OR

Adjusting pressure range Adjusting pressure range 0.05 ~ 0.85MPa

HANWHA



Utility



调压阀OR 技术参数/Technical Data

规格Size	MINI			MIDI			MAXI		
工作介质 Medium	过滤压缩空气(润滑或未润滑) Filtered, compressed air (lubricated or unlubricated)								
结构特点 Features of structure	MINI/MIDI: 膜片式减压阀 Diaphragm type regulator; MAXI: 活塞式减压阀 Piston regulator								
安装方式 Mounting type	管式安装、支架安装或面板式安装 Pipe/Foot/Plate mounting								
安装位置 Assembly position	任意 Any								
连接尺寸 Connection	G1/8	G1/4	G3/8	G3/8	G1/2	G3/4	G3/4	G1	
标准额定流量 Standard nominal flow rate	OR-...	800	1500	1700	3200	3500	3500	11000	11500
	OR-...-7-	1000	1600	1800	3300	4000	4500	12000	12500
输入压力 Primary pressure	1~16bar								
工作压力 Working pressure	0.5~12bar/0.5~7bar								
温度范围 Temperature range	0~60°C								
材料 Materials information	壳体: 压铸锌; 密封: 丁腈橡胶; 调压手轮: POM Housing: Zinc die-casting; Sealing: NBR; Adjusting knob: POM								



Vacuum valve



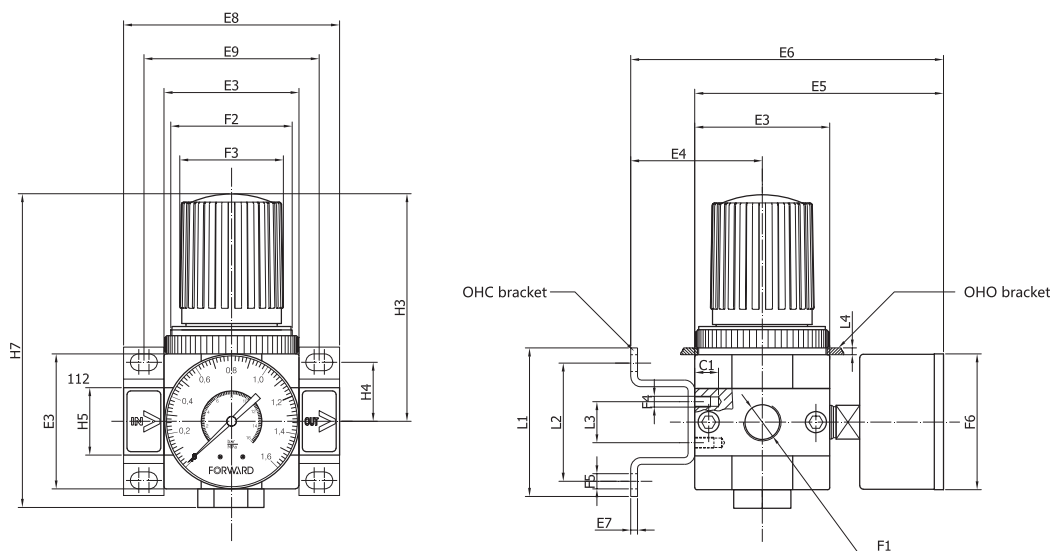
Pressure regulating valve OR



Utility

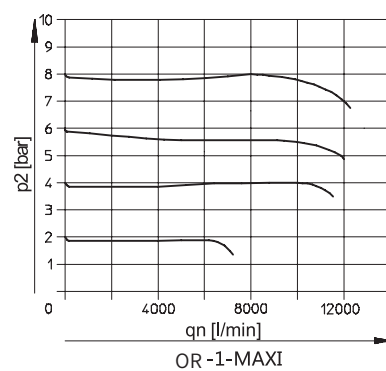
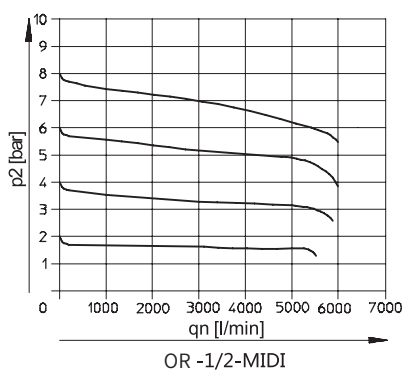
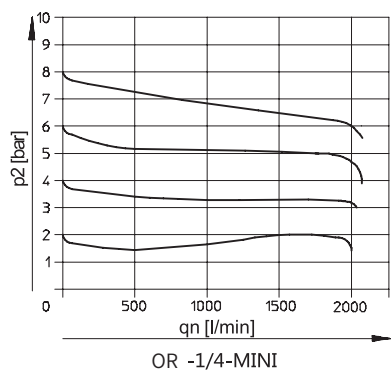
Adjusting pressure range Adjusting pressure range 0.05 ~ 0.85MPa

OR Design Data



OR

Models	E3	E4	E5	E6	E8	E9	F1	F2	F3∅	F4	F5∅	F6∅	L1	L2	L3	L4	H3	H4	H7
OR...-MINI	40	39	76	95	64	52	G1/8,G1/4,G3/8	M36*1.5	31	M4	4.5	40	44	35	11	Max.3	69	17.5	96
OR...-MIDI	55	47	93	112	85	70	G1/8,G1/2,G3/4	M52*1.5	50	M5	5.5	52	71	60	22	Max.5	98	24.5	96
OR...-MAXI	66	53	104	124	96,116	80,91	G3/4,G1	M36*1.5	31	M5	5.5	63	71	60	22	Max.4	80	24.5	96

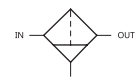


* 输入压力 Primary pressure: p1=10 bar

Vacuum valve Oil mist eliminator OL



Pressure resistance of 1.5MPa (15kgf/cm²)



Condensate drain
Turned manually



Condensate drain
Semi-or fully automatic

The water separation filter can filter out liquid oil, condensate, and impurities in the air. For special applications, 5 μ The filter element is easy to replace μ The standard filter element of m.

OL Ordering NO

OL	—	G01	—	D
1		2		3

1-Series		2-Caliber		3- Drainage method	
OL	Filter	G01	G1/8	D	Manual
		G02	G1/4	S	Semi-automatic
		G03	G3/8	A	Automatic
		G04	G1/2		
		G05	G3/4		

Vacuum valve

Oil mist eliminator OL



Utility

Pressure resistance of 1.5MPa (15kgf/cm²)

OL Technical Data

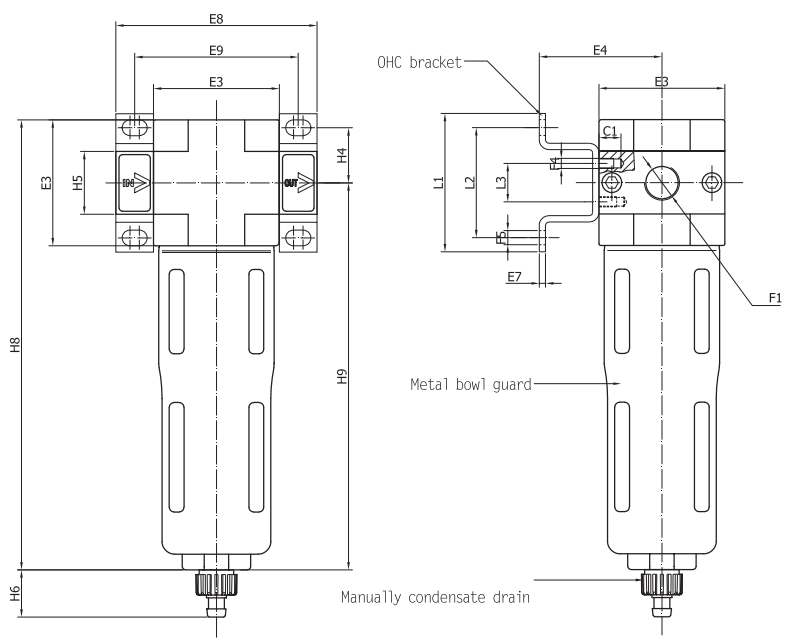
Size		MINI			MIDI			MAXI	
Medium		Compressed air							
Features of structure		Sintered filter with water separator							
Mounting type		Pipe mounting or foot mounting							
Assembly position		Vertical ±5°							
Connection		G1/8	G1/4	G3/8	G3/8	G1/2	G3/4	G3/4	G1
Standard nominal flow rate	OL-...(-A)	1000	1200	1400	2700	3000	3000	5000	5300
	OL-...-5M(-A)	600	950	1100	1800	2000	2000	3600	3800
Primary pressure	Manual condensate drain	Max:16bar							
	Automatic condensate drain	1.5~12bar							
Grade of filtration		40µm/5µm							
Max.condensate capacity		22ml			43ml			80ml	
Temperature range		4~60°C							
Materials information		Housing : Zinc die-casting ; Filter bowl : PC Metal bowl guard : Aluminium alloy ; Sealing : NBR							

Vacuum valve Oil mist eliminator OL



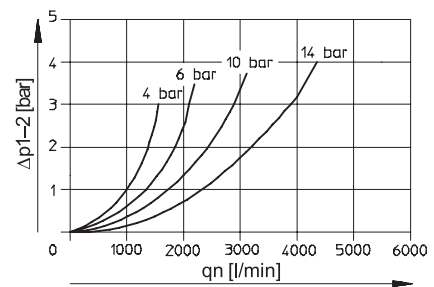
Pressure resistance of 1.5MPa (15kgf/cm²)

OL Design Data

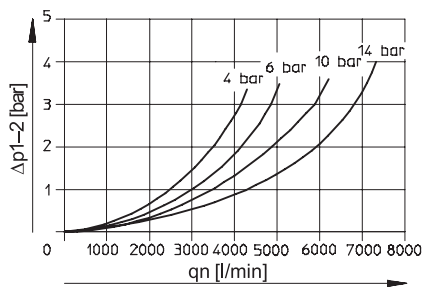


OL

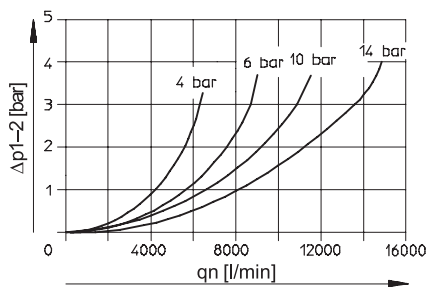
Models	E3	E4	E7	E8	E9	F1	F4	F5Ø	L1	L2	L3	H4	H5	H6	H8	H9
OL-...-MINI	40	39	2	64	52	G1/8,G1/4,G3/8	M4	4.5	44	35	11	17.5	20	15	144	129
OL-...-MIDI	55	47	3	85	70	G1/8,G1/2,G3/4	M5	5.5	71	60	22	24.5	32	15	179	156
OL-...-MAXI	66	53	3	96,116	80,91	G3/4,G1	M5	5.5	71	60	22	24.5	32,40	15	203	175



OL -1/4-MINI
Primary pressure: p1=10 bar



OL -1/2-MIDI



OL -1-MAXI