

Auxiliary components

Suspension type HSH

HANWHA



Utility

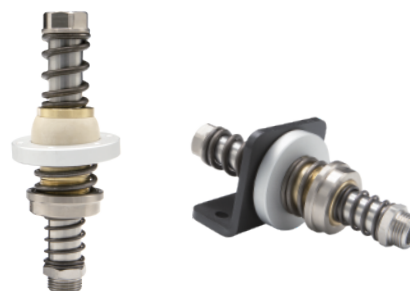
External spring buffer stroke 25mm to 75mm

Product characteristics

*No additional control is required to handle extremely sensitive components (such as glass panels), ensuring that the workpiece is placed gently in place

*No additional technical control is required to handle very curved or naturally growing materials (such as dry wood)

*Can be used in harsh environments

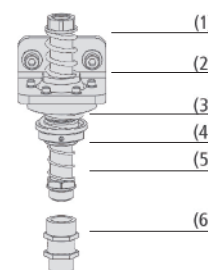


Product structure

*Spring buffer support rod equipped with stainless steel plunger rod, both the lower (5) and upper (1) buffer springs are equipped with brass guide shaft sleeves integrated with sliding sleeves

*The bent flange (2) serves as a connecting accessory and holds an automatic centering device consisting of a centering spring (3) and a spring seat nut (4); The center spring pre tension (3) is set by the locking screw on the spring seat nut (4).

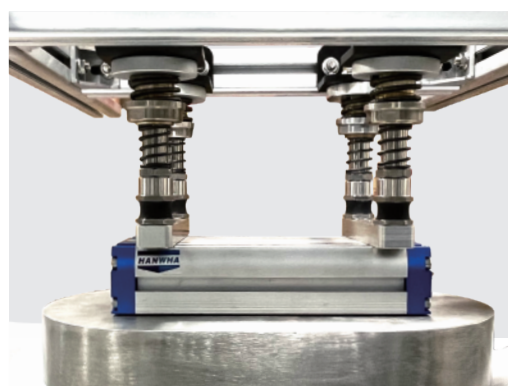
*Flexible connectors (6) are made of high-quality steel and equipped with vulcanized adhesive rubber buffer connectors (optional)



Product advantages

*Used for short shot high dynamic handling tasks

*Spherical suspension type spring buffer support rod, equipped with two buffer springs, centering springs, and universal ball joints, used for handling workpieces with different heights



* HSH case

Auxiliary components

Suspension type HSH

External spring buffer stroke 25mm to 75mm

HANWHA



Utility



HSH Ordering NO

HSH	—	25	—	M	—	MG04	—	FG04
1		2		3		4		5

1-Series		2-Buffer stroke		3-Flange	
HSH	Attachment	25	25mm	F	With flange
		50	50mm	M	No flange
		75	75mm		

4-Top thread		5-Bottom thread	
F internal thread	G04-G1/2	F internal thread	G04-G1/2
	G03-G3/8		G03-G3/8
	G02-G1/4		G02-G1/4
M external thread	G04-G1/2	M external thread	G04-G1/2
	G03-G3/8		G03-G3/8
	G02-G1/4		G02-G1/4



HSH Technical Data

Models	Spring stroke
HSH-25-F-MG04-FG03	25mm
HSH-50-F-MG04-FG03	50mm
HSH-75-F-MG04-FG03	75mm

Auxiliary components

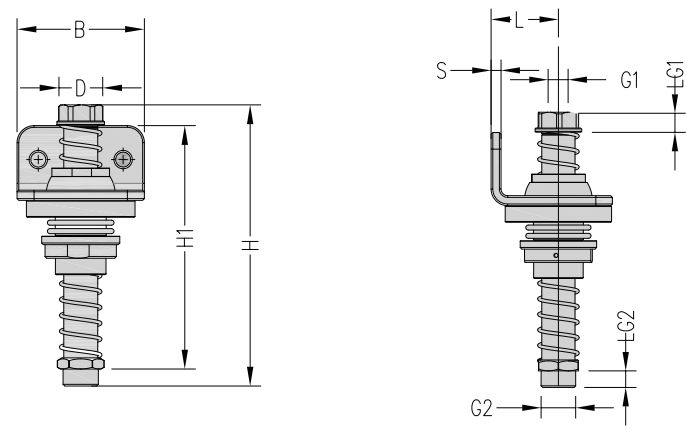
Suspension type HSH



Utility

External spring buffer stroke 25mm to 75mm

HSH Design Data



HSH

model

Size[mm]	B	D	H	H1	L	G1	LG1	G2	LG2	S
HSH-25-F-MG04-FG03	75	15.25	165.6	143.30	40.5	G3/8	12	G1/2	10	6
HSH-50-F-MG04-FG03	75	15.25	190.6	168.39	40.5	G3/8	12	G1/2	10	6
HSH-75-F-MG04-FG03	75	15.25	215.6	193.39	40.5	G3/8	12	G1/2	10	6