

Vacuum Suction Foams HVGP (fan pump)

Suction size: 130mmX wide and long (customizable)

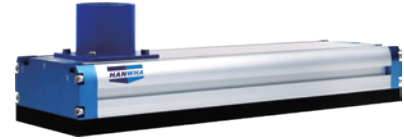
HANWHA



General

Product characteristics

- * Medium-sized standardized design
- * Convenient and simple maintenance
- * Lightweight and tough high strength aluminum profiles
- * Built-in multistage vacuum generator module
- * HANWHA-specific body technology
- * Different pass technology for a wide variety of workpiece applications
- * High performance imported material, longer service life



Product structure

- * (1) Fan bump
- * (2) Compressed air intake
- * (3) Exhaust hole with silencer function
- * (4) Aluminum profile can be customized
- * (5) Various types of imported foams can be customized



Product advantages

- * Rigid workpieces
- * Standard are used for wooden boards, pallets, aluminum profiles, and patterned steel
- * Different gaskets can absorb and carry different types of workpieces



Foam suction HVGP absorbs wood

Vacuum Suction Foams

HVGP (fan pump)

HANWHA



General

Suction size: 130mmX wide and long (customizable)

HVGP Order Code

HVGP 1	130 2	1234 3	V 4	3 5	F 6
20 7	C 8	E 9			

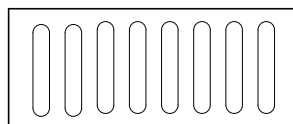
1-Series	2-Width	3-Lengt
HVGP Foam suction	130 130mm	1234 Customizable

4-Vacuum valve specifications	5-Hole shape	6-Vacuum material
V Self-closing valve	1 PB01	F Foam
L Flow valve	3 PB03	
S High speed valve	4 PB04	
	5 PB05	

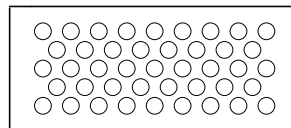
7-Size and type of foam	8-energy conservation	9-Vacuum source configuration
20 20mm	lank Standard non-energy saving	A Generator
30 30mm	C Energy conservation	E Fan pump
10F10 Filtering function		
15F15 Filtering function		
F Filter type		
M Traceless type		

* Please contact us for special requirements

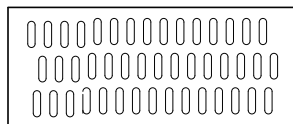
HVGP130 Foam Order Code



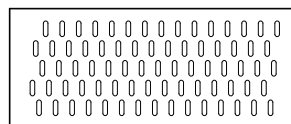
HVGP 130 Customization
Type:PA01
Need to be customized



HVGP 130 Customization
Type:PA04
Need to be customized



HVGP 130 Customization
Type:PA03
General purpose



HVGP 130 Customization
Type:PA05
Need to be customized

Vacuum Suction Foams HVGP (fan pump)

HANWHA


General

Suction size: 130mmX wide and long (customizable)

HVGP 1	–	130 2	–	1234 3	–	PA03 4	–	20 5	–	FM 6
-----------	---	----------	---	-----------	---	-----------	---	---------	---	---------

1-Series		2-Width		3-Length	
HVGP	foam suction	130	130mm	1234	Customizable

4-Hole type		5-Thickness		6-Function	
PB01		20	20mm		Basic type
PB03				F	Filter type
PB04				M	Traceless type
PB05					

* Please contact us for special requests



HVGP Technical parameters

Models	Type	Number of foam pores	Required pumping capacity* [L/min]	Vacuum* [Kpa]	Suction* [N(-40KPA)]	Weight [KG]
HVGP130-262V-3F**-E	PA03	36	110	-40	262	2.2
HVGP130-316V-3F**-E	PA03	45	150	-40	328	2.4
HVGP130-352V-3F**-E	PA03	51	220	-40	371	2.6
HVGP130-442V-3F**-E	PA03	66	300	-40	480	3.0
HVGP130-550V-3F**-E	PA03	84	390	-40	611	3.4
HVGP130-640V-3F**-E	PA03	99	450	-40	721	3.8
HVGP130-712V-3F**-E	PA03	111	510	-40	808	4.2
HVGP130-838V-3F**-E	PA03	132	600	-40	961	4.8
HVGP130-910V-3F**-E	PA03	144	680	-40	1048	4.9
HVGP130-1000V-3F**-E	PA03	159	750	-40	1157	5.2
HVGP130-1234V-3F**-E	PA03	198	900	-40	1441	6.8
HVGP130-1432V-3F**-E	PA03	231	1050	-40	1682	8.1

* PA03

 *Vacuum degree for reference-Kpa vacuum suction (built-in vacuum generator)
please refer to the actual vacuum source performance values

Vacuum Suction Foams HVGP (fan pump)



General

Suction size: 130mmX wide and long (customizable)

Models	Type	Number of foam pores	Required pumping capacity* [L/min]	Vacuum* [Kpa]	Suction* [N(-40KPA)]	Weight [KG]
HVGP130-295V-4F**-E	PA04	53	150	-40	326	2.6
HVGP130-434V-4F**-E	PA04	83	300	-40	511	3.3
HVGP130-572V-4F**-E	PA04	113	400	-40	696	3.8
HVGP130-711V-4F**-E	PA04	143	510	-40	881	4.5
HVGP130-849V-4F**-E	PA04	173	600	-40	1065	5.2
HVGP130-988V-4F**-E	PA04	203	750	-40	1250	5.6
HVGP130-1126V-4F**-E	PA04	233	850	-40	1435	7.0
HVGP130-1265V-4F**-E	PA04	263	950	-40	1619	7.4
HVGP130-1403V-4F**-E	PA04	293	1050	-40	1804	8.5
HVGP130-1542V-4F**-E	PA04	323	1250	-40	1989	9.1

* PA04

Models	Type	Number of foam pores	Required pumping capacity* [L/min]	Vacuum* [Kpa]	Suction* [N(-40KPA)]	Weight [KG]
HVGP130-262V-5F**-E	PA05	60	110	-40	191	2.2
HVGP130-316V-5F**-E	PA05	75	150	-40	239	2.4
HVGP130-352V-5F**-E	PA05	85	220	-40	271	2.6
HVGP130-442V-5F**-E	PA05	110	300	-40	350	3.0
HVGP130-550V-5F**-E	PA05	140	390	-40	446	3.4
HVGP130-640V-5F**-E	PA05	165	450	-40	526	3.8
HVGP130-712V-5F**-E	PA05	185	510	-40	589	4.2
HVGP130-838V-5F**-E	PA05	220	600	-40	701	4.8
HVGP130-910V-5F**-E	PA05	245	680	-40	780	4.9
HVGP130-1000V-5F**-E	PA05	265	750	-40	844	5.2
HVGP130-1234V-5F**-E	PA05	330	900	-40	1051	6.8
HVGP130-1432V-5F**-E	PA05	385	1050	-40	1226	8.1

* PA05

*Vacuum degree for reference-Kpa vacuum suction (built-in vacuum generator)
please refer to the actual vacuum source performance values

Vacuum Suction Foams

HVGP (fan pump)

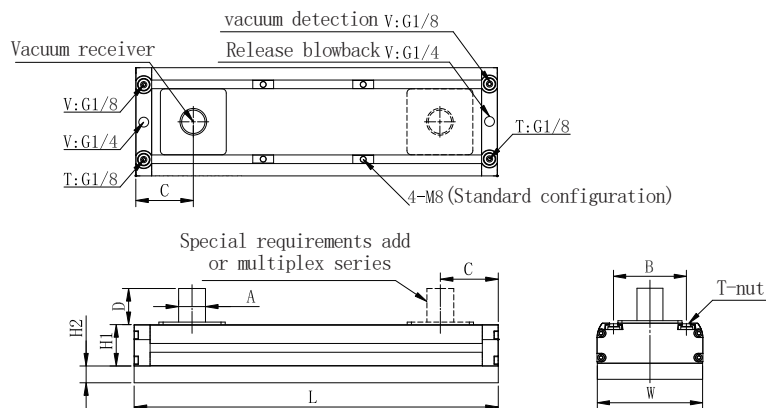
Suction size: 130mmX wide and long (customizable)

HANWHA



General

HVGP Design parameters



尺寸[mm]

Models	A	B	C	D	H1	H2[**]			W	L
HVGP130-262V-3F**-E	60(32)	90	69	54	50	10	15	20	130	262
HVGP130-316V-3F**-E	60(32)	90	69	54	50	10	15	20	130	316
HVGP130-352V-3F**-E	60(32)	90	69	54	50	10	15	20	130	352
HVGP130-442V-3F**-E	60(32)	90	69	54	50	10	15	20	130	442
HVGP130-550V-3F**-E	60(32)	90	69	54	50	10	15	20	130	550
HVGP130-640V-3F**-E	60(32)	90	69	54	50	10	15	20	130	640
HVGP130-712V-3F**-E	60(32)	90	69	54	50	10	15	20	130	712
HVGP130-838V-3F**-E	60(32)	90	69	54	50	10	15	20	130	838
HVGP130-910V-3F**-E	60(32)	90	69	54	50	10	15	20	130	910
HVGP130-1000V-3F**-E	60(32)	90	69	54	50	10	15	20	130	1000
HVGP130-1234V-3F**-E	60(32)	90	69	54	50	10	15	20	130	1234
HVGP130-1432V-3F**-E	60(32)	90	69	54	50	10	15	20	130	1432

* PA03

尺寸[mm]

Models	A	B	C	D	H1	H2[**]			W	L
HVGP130-295V-4F**-E	60(32)	90	69	54	50	10	15	20	130	295
HVGP130-434V-4F**-E	60(32)	90	69	54	50	10	15	20	130	434
HVGP130-572V-4F**-E	60(32)	90	69	54	50	10	15	20	130	572
HVGP130-711V-4F**-E	60(32)	90	69	54	50	10	15	20	130	711
HVGP130-849V-4F**-E	60(32)	90	69	54	50	10	15	20	130	849
HVGP130-988V-4F**-E	60(32)	90	69	54	50	10	15	20	130	988
HVGP130-1126V-4F**-E	60(32)	90	69	54	50	10	15	20	130	1126
HVGP130-1265V-4F**-E	60(32)	90	69	54	50	10	15	20	130	1265
HVGP130-1403V-4F**-E	60(32)	90	69	54	50	10	15	20	130	1403
HVGP130-1542V-4F**-E	60(32)	90	69	54	50	10	15	20	130	1542

* PA04

Vacuum Suction Foams HVGP (fan pump)



General

Suction size: 130mmX wide and long (customizable)

尺寸[mm]

Models	A	B	C	D	H1	H2[**]			W	L
HVGP130-262V-5F**-E	60(32)	90	69	54	50	10	15	20	130	262
HVGP130-316V-5F**-E	60(32)	90	69	54	50	10	15	20	130	316
HVGP130-352V-5F**-E	60(32)	90	69	54	50	10	15	20	130	352
HVGP130-442V-5F**-E	60(32)	90	69	54	50	10	15	20	130	442
HVGP130-550V-5F**-E	60(32)	90	69	54	50	10	15	20	130	550
HVGP130-640V-5F**-E	60(32)	90	69	54	50	10	15	20	130	640
HVGP130-712V-5F**-E	60(32)	90	69	54	50	10	15	20	130	712
HVGP130-838V-5F**-E	60(32)	90	69	54	50	10	15	20	130	838
HVGP130-910V-5F**-E	60(32)	90	69	54	50	10	15	20	130	910
HVGP130-1000V-5F**-E	60(32)	90	69	54	50	10	15	20	130	1000
HVGP130-1234V-5F**-E	60(32)	90	69	54	50	10	15	20	130	1234
HVGP130-1432V-5F**-E	60(32)	90	69	54	50	10	15	20	130	1432

* PA05

