

Vacuum Suction Foams HVGP (Generator)

Suction size: 200mmX wide and long (customizable)

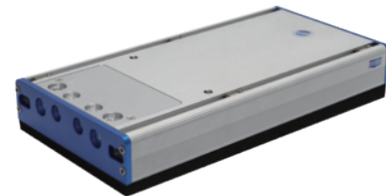
HANWHA



General

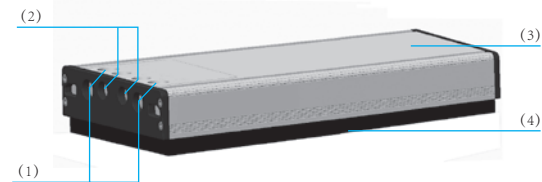
Product characteristics

- * Medium-sized standardized design
- * Convenient and simple maintenance
- * Adopting lightweight and tough high-strength aluminum profiles
- * Design of external vacuum source
- * Adopting HANWHA's unique valve body technology
- * Different pass techniques are suitable for a wider range of workpiece applications
- * Original imported sealed foam pads from Europe, with longer service life



Product structure

- * (1) P: G1/4 screw thread, air inlet
- * (2) V: G1/8 screw thread, back blowing/vacuum detection
- * (3) Aluminum profile can be customized
- * (4) Various types of imported foams can be customized



Product advantages

- * Rigid workpieces
- * Standard are used for wooden boards, pallets, aluminum profiles, and patterned steel
- * Different sealing pads can absorb and carry different types of workpieces



Foam suction HVGP absorbs packaging carton

Vacuum Suction Foams HVGP (Generator)

HANWHA



General

Suction size: 200mmX wide and long (customizable)

HVGP Order Code

HVGP 1	200 2	1000 3	V 4	3 5	F 6
20 7	E 8				

1-Series	
HVGP	Foam suction

2-Width	
200	200mm

3-Length	
1000	Customizable

4-Vacuum valve specifications	
V	Self-closing valve
L	Flow valve
S	High speed valve

5-Hole shape	
2	PD02
3	PD03

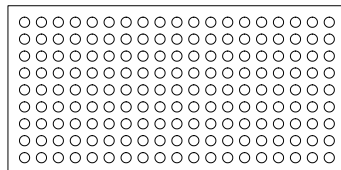
6-Vacuum material	
F	Foam

7-Size and type of foam	
20	20mm
25	25mm
30	30mm
10F10	With filtering
15F15	With filtering
M	No trace

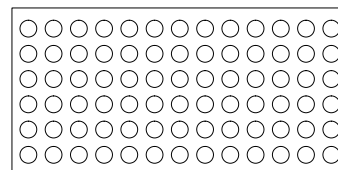
8-Vacuum source configuration	
A	Generator
E	Fan pump

*Please contact us for special requirements

HVGP200 Foam Order Code



HVGP 200 Customization
Type:PD02
General purpose



HVGP 200 Customization
Type:PD03
General purpose

Vacuum Suction Foams HVGP (Generator)

Suction size: 200mmX wide and long (customizable)

HANWHA



General

HVGP	200	1000	PD02	20	FM
1	2	3	4	5	6

1-Series	2-Width	3-Length
HVGP	200	1000
Foam suction	200mm	Customizable

4-Hole shape	5-Size and type of foam	6-Foam type
PD02	20	Basic type
PD03	25	Filter type
	30	Traceless type
	10F10	20mm,With filtering
	15F15	30mm,With filtering

*Please contact us for special requirements



HVGP Technical parameters

Models	Type	Inlet pressure [Mpa]	Number of foam pores	Gascon sumption* [L/min]	Vacuum* [Kpa]	Vacuum flow* [L/min]	Suction N* [-50KPA]	Weight [KG]
HVGP200-300V-2F**-A	PD02	0.4~0.6	126	300	-50	1050	712	3.2
HVGP200-400V-2F**-A	PD02	0.4~0.6	171	300	-50	1050	966	3.8
HVGP200-500V-2F**-A	PD02	0.4~0.6	216	400	-50	1400	1221	4.4
HVGP200-600V-2F**-A	PD02	0.4~0.6	261	400	-50	1400	1475	5.0
HVGP200-700V-2F**-A	PD02	0.4~0.6	306	400	-50	1400	1730	5.6
HVGP200-800V-2F**-A	PD02	0.4~0.6	351	500	-50	1750	1984	6.2
HVGP200-900V-2F**-A	PD02	0.4~0.6	396	500	-50	1750	2238	6.8
HVGP200-1000V-2F**-A	PD02	0.4~0.6	441	600	-50	2100	2493	7.4
HVGP200-1100V-2F**-A	PD02	0.4~0.6	486	600	-50	2100	2747	8.0
HVGP200-1200V-2F**-A	PD02	0.4~0.6	531	600	-50	2100	3001	8.6

* PD02

Models	Type	Inlet pressure [Mpa]	Number of foam pores	Gascon sumption* [L/min]	Vacuum* [Kpa]	Vacuum flow* [L/min]	Suction N* [-50KPA]	Weight [KG]
HVGP200-260V-3F**-A	PD03	0.4~0.6	48	200	-50	700	482	3.0
HVGP200-410V-3F**-A	PD03	0.4~0.6	78	200	-50	700	784	3.9
HVGP200-560V-3F**-A	PD03	0.4~0.6	108	300	-50	1050	1085	4.8
HVGP200-710V-3F**-A	PD03	0.4~0.6	138	300	-50	1050	1387	5.6
HVGP200-860V-3F**-A	PD03	0.4~0.6	168	400	-50	1400	1688	6.5
HVGP200-1010V-3F**-A	PD03	0.4~0.6	198	400	-50	1400	1990	7.4
HVGP200-1160V-3F**-A	PD03	0.4~0.6	228	700	-50	1400	2291	8.3

* PD03

*Vacuum degree for reference-Kpa vacuum suction (built-in vacuum generator)

please refer to the actual vacuum source performance values

Vacuum Suction Foams HVGP (Generator)

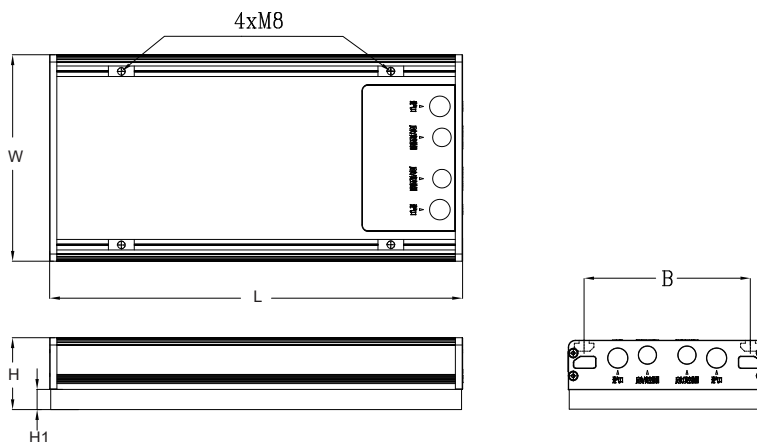
HANWHA



General

Suction size: 200mmX wide and long (customizable)

HVGP Design parameters



Size[mm]

Models	B	L	W	H	H1
HVGP200-300V-2F**-A	168	300	200	70	20
HVGP200-400V-2F**-A	168	400	200	70	20
HVGP200-500V-2F**-A	168	500	200	70	20
HVGP200-600V-2F**-A	168	600	200	70	20
HVGP200-700V-2F**-A	168	700	200	70	20
HVGP200-800V-2F**-A	168	800	200	70	20
HVGP200-900V-2F**-A	168	900	200	70	20
HVGP200-1000V-2F**-A	168	1000	200	70	20
HVGP200-1100V-2F**-A	168	1100	200	70	20
HVGP200-1200V-2F**-A	168	1200	200	70	20

* PD02

Size[mm]

Models	B	L	W	H	H1
HVGP200-260V-3F**-A	168	260	200	70	20
HVGP200-410V-3F**-A	168	410	200	70	20
HVGP200-560V-3F**-A	168	560	200	70	20
HVGP200-710V-3F**-A	168	710	200	70	20
HVGP200-860V-3F**-A	168	860	200	70	20
HVGP200-1010V-3F**-A	168	1010	200	70	20
HVGP200-1160V-3F**-A	168	1160	200	70	20

* PD03