

Vacuum Generator

ECG

Maximum vacuum flow: 270~650L/Min

HANWHA



Currency

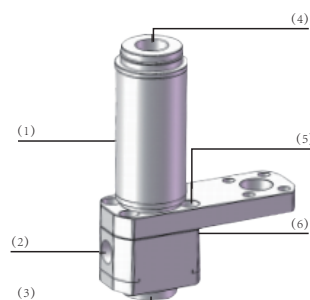
Product characteristics

- * The adsorption surface is adjacent to the suction port
- * Integrated vacuum generation function
- * Extremely high suction capacity
- * Large suction capacity and low gas consumption
- * Controlled exhaust



Product structure

- * (1) Silencer pipe
- * (2) Compressed air intake
- * (3) M20 threaded hole
- * (4) With a diameter of 26.6
- * (5) Install G1/4 screws
- * (6) Vacuum detection or backflushing



Product advantages

*Composite special suction cups are used for handling sensitive plastic parts, printed circuit boards, textiles, or composite fiber materials



Vacuum Generator

ECG

HANWHA


Currency

Maximum vacuum flow:270~650L/Min

ECG-10S Ordering NO

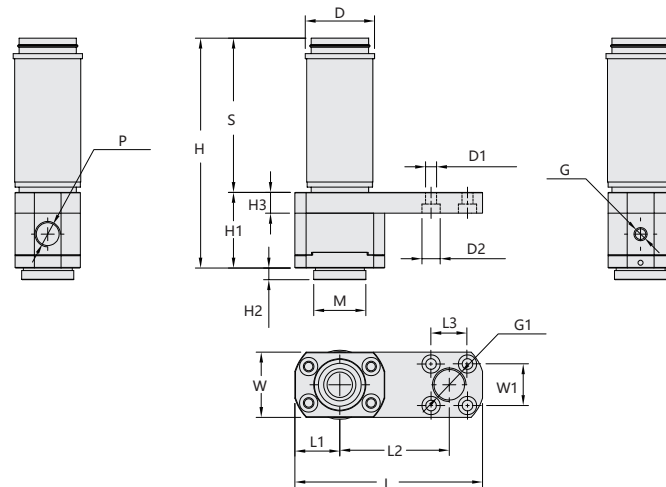
ECG	10S
1	2

1-Series	2-Model
ECG Vacuum Generator	10S

ECG-10M Technical Data

Models	Use fluid	Temperature [°C]	Inlet pressure [Mpa]	Air consumption [L/Min]	Vacuum pressure reached [-KPa]	Maximum vacuum flow [L/Min]	Weight [Kg]
ECG-10S	air	0~60	0.1~0.5	60~200	14	270~650	0.1

ECG-10S Design Data



ECG-10S

Size[mm]

Models	H	H1	H2	H3	W	W1	L	L1	L2	L3	D	D1	D2	G	G1	M	P	S
ECG-10S	88.2	29	4.5	8	25	16	72	17.3	42	13.9	φ26.6	4-φ4.2	4-φ7	M5	G1/4"	M20X1	G1/8"	Silencing