

Vacuum Generator ECO



Utility

Maximum vacuum pressure:94-Kpa

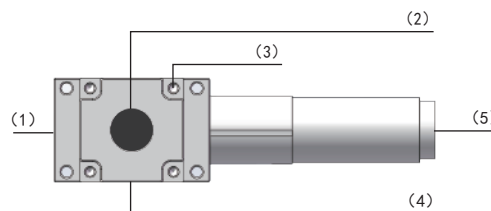
Product characteristics

- * Robust aluminum alloy body, multiple installation designs
- * Integrated modular vacuum generator, supporting customer free configuration, to meet the control requirements of specific systems.



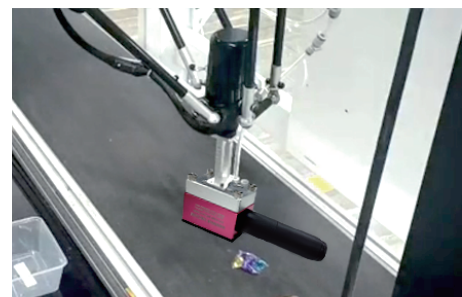
Product structure

- *Main body: Made of plastic, small in size and light in weight
- * (1) Connector: Compressed air connector for blowing air
- * (2) Vacuum connection port
- * (3) 4 mounting holes for installation and fixation
- * (4) V: G1/8 vacuum detection
- * (5) The air outlet is made of aluminum oxide



Product advantages

- *Reduce energy consumption by more than 50%, and release quickly and accurately without compressed air consumption
- *No maintenance required and reduces maintenance and spare parts costs



*ECO case

Vacuum Generator

HANWHA

ECO

Maximum vacuum pressure:94-Kpa



Utility



ECO-200M Ordering NO

ECO	200M	H	S
1	2	3	4

1-Series	2-Model	3- Specifications
ECO	Vacuum Generator	200M
		H
		High vacuum
		L
		Low vacuum
		M
		Lower in
4-Silencer		
	No silencer	
S	With silencer	



ECO-200M Technical Data

Models	Use fluid	Temperature [°C]	Inlet pressure [Mpa]	Air consumption [L/Min]	Vacuum pressure reached [-KPa]	Maximum vacuum flow [L/Min]	Weight [Kg]
ECO-200M-H	air	0~60	0.5	120	94	372	0.2
ECO-200M-L	air	0~60	0.5	90	70	342	0.2
ECO-200M-M	air	0~60	0.31	123	90	336	0.2

Vacuum flow rate (L/min) for different vacuum degrees (- kpa)

Models	0	10	20	30	40	50	60	70	80
ECO-200M-H	168	144	108	72	43.2	32.4	24	18	8.4
ECO-200M-L	192	174	132	84	51	37.2	21	10.8	0
ECO-200M-M	168	150	108	66	39	30	21	15	6

Extraction time (S/L) for different vacuum degrees (- kpa)

Models	10	20	30	40	50	60	70	80
ECO-200M-H	0.04	0.009	0.17	0.28	0.44	0.63	0.9	1.3
ECO-200M-L	0.03	0.07	0.11	0.21	0.35	0.6	1	0
ECO-200M-M	0.038	0.084	0.153	0.267	0.441	0.677	1.01	1.581



Vacuum Generator ECO

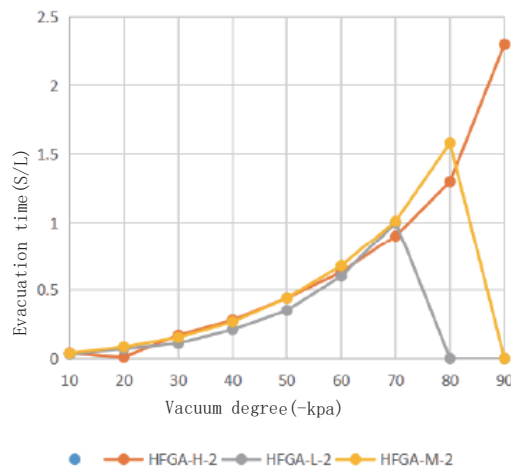
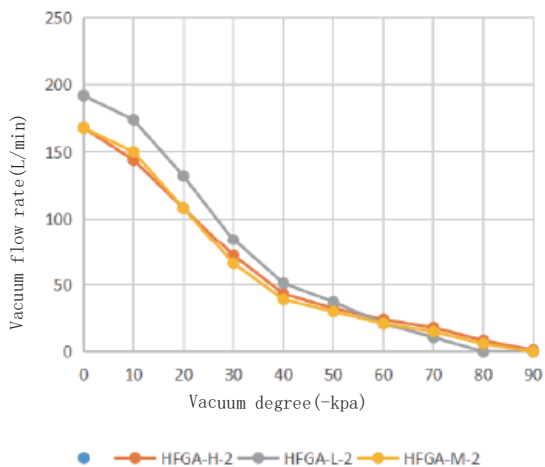
HANWHA



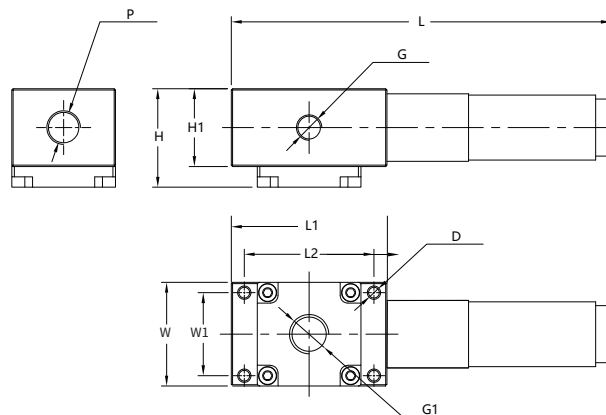
Utility

Maximum vacuum pressure:94-Kpa

Performance parameter



ECO-200M Design Data



ECO-200M

model

Size[mm]	L	L1	L2	W	W1	H	H1	G	G1	P	D
ECO-200M-HS	146.5	60	50	40	32	38	30	G1/8"	G3/8"	G1/4"	4-φ4.2
ECO-200M-LS	146.5	60	50	40	32	38	30	G1/8"	G3/8"	G1/4"	4-φ4.2
ECO-200M-MS	146.5	60	50	40	32	38	30	G1/8"	G3/8"	G1/4"	4-φ4.2