

Vacuum Generator

ECO

Maximum vacuum flow: 207L/Min

HANWHA



Utility

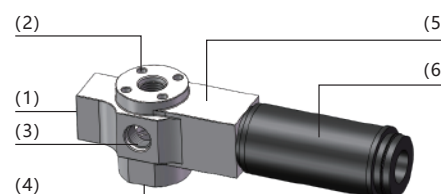
Product characteristics

- *With plastic casing, lightweight vacuum generator
- *ECO-H4010 series generators are suitable for extremely harsh environments and meet high dust and humidity requirements
- *Suitable for applications that require less vacuum, such as packaging/bag handling, etc
- *Integrated silencer reduces noise levels
- *ECO-H4010 series generators are compatible with any HANWHA G3/8 "suction cup
- *Among generators of the same type, with the same parameters, the



Product structure

- *Main body: Made of aluminum alloy, small in size and light in weight
- * (1) Connector: Used for compressed air intake connector G1/8
- * (2) Installation screw: 4XM4
- * (3) Connection port: Vacuum detection port G1/8
- * (4) Connection port: Vacuum connection port G3/8
- * (5) Silencer: made of anodized aluminum oxide
- * (6) Silencer tube



Product advantages

- *Efficient and energy-saving vacuum generator that can quickly reach maximum vacuum degree
- *Corresponding generators can be selected according to different operating conditions
- *The installation structure is simple and can be quickly installed
- *Reduce product noise



*ECO-H4010 case

Vacuum Generator

ECO

HANWHA


Utility

Maximum vacuum flow: 207L/Min



ECO-H4010 Ordering NO

ECO	-	H4010	-	H	-	N
1		2		3		4

1-Series	ECO	2-Model	H4010	3-Specifications	H High vacuum (red diaphragm)
					L Low vacuum (without diaphragm)
4-Silencing	N				
	S	Extended noise reduction			



ECO-H4010 Technical Data

Models	Use fluid	Temperature [°C]	Intake pressure [Mpa]	Air consumption [L/Min]	Vacuum pressure reached [-KPa]	Maximum vacuum flow [L/Min]
ECO-H4010-H	air	-8~80	0.44	118	90	207
ECO-H4010-L	air	-8~80	0.44	118	50	207

Vacuum flow rate (L/min) for different vacuum degrees (- kpa)

Models	0	10	20	30	40	50	60	70	80
ECO-H4010-H	73.2	61.8	46.8	31.2	16.2	12.6	9	5.4	1.8
ECO-H4010-L	73.2	61.8	46.8	31.2	16.2	0	0	0	0

Extraction time (S/L) for different vacuum degrees (- kpa)

Models	10	20	30	40	50	60	70	80
ECO-H4010-H	0.082	0.201	0.374	0.674	1.216	1.914	2.978	6.187
ECO-H4010-L	0.089	0.199	0.353	0.606	0	0	0	0



Vacuum Generator ECO

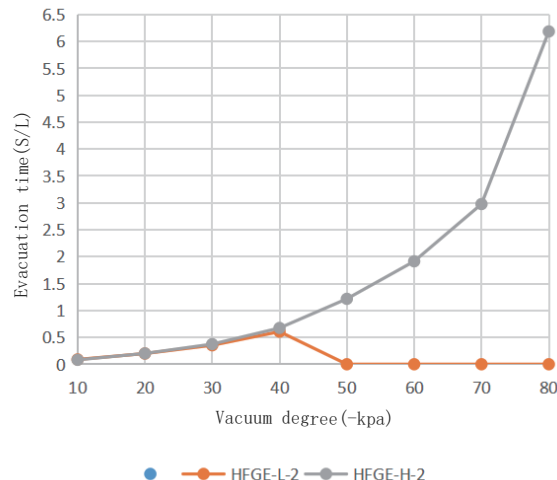
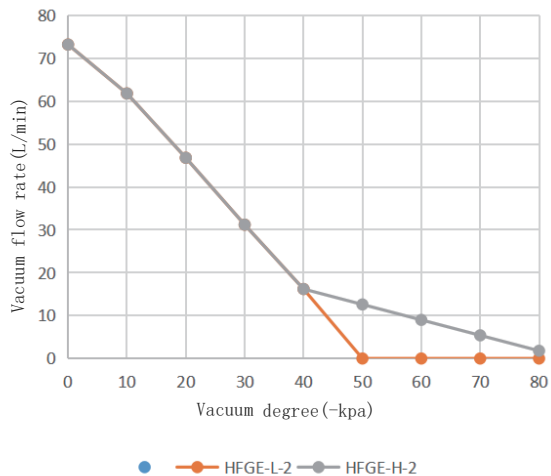
HANWHA

Maximum vacuum flow: 207L/Min

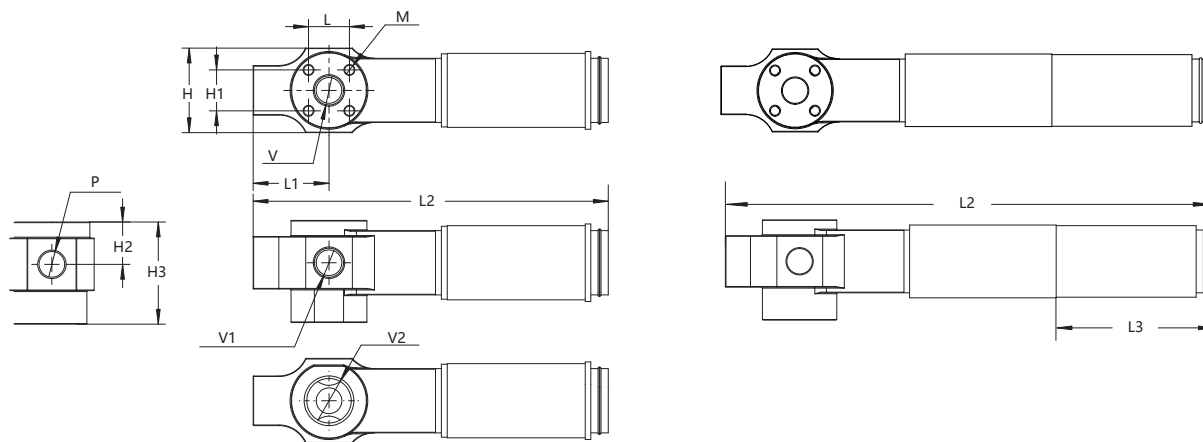


Utility

Performance parameter



ECO-H4010 Design Data



ECO-H4010/ECO-H4010-S

model

Size[mm]	L	L1	L2	L3	H	H1	H2	H3	M	V	V1	V2	P
ECO-H4010	14	26	122	/	29	14	14.50	35	4XM4	G1/8	2xG1/8	G3/8	G1/8
ECO-H4010-S	14	26	177	55	29	14	14.50	35	4XM4	G1/8	2xG1/8	G3/8	G1/8