

# Vacuum Generator SEC



General

Maximum vacuum flow: 35L/Min

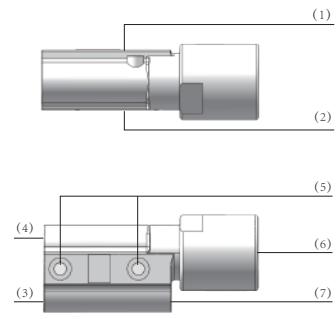
## Product characteristics

- \* High speed handling, strong blowing, fast release function of the generator, the automatic operation of very short beats
- \* The body is made of plastic, small size, light weight, especially suitable for high dynamic systems
- \* Direct mounting of suckers and connectors
- \* With silencer, low noise
- \* Vacuum switch option
- \* Modular installation for vacuum generators in various fields, active blowing can achieve very short beat times, including sheet metal handling, automotive industry, packaging equipment and robotics



## Product structure

- \* (1) Body: made of plastic, small size, light weight
- \* (2) Silencer: made of anodized aluminum
- \* (3) Joint: compressed air joint for blowing
- \* (4) Joint: compressed air joint for suction
- \* (5) Connection port: used to connect with tooling
- \* (6) Connector: vacuum connector
- \* (7) Mounting screw: M4x2



## Product advantages

- \* Suitable for various occasions that require blowing and short working cycle, such as sheet metal Processing, automotive industry, packaging machinery and industrial robots



\*Example of vacuum generator SECV directly connected to ball chuck

\*Vacuum generator ECG-10H combination

# Vacuum Generator

## SEC

**HANWHA**


General

Maximum vacuum flow: 35L/Min

### SECV-10 Ordering NO

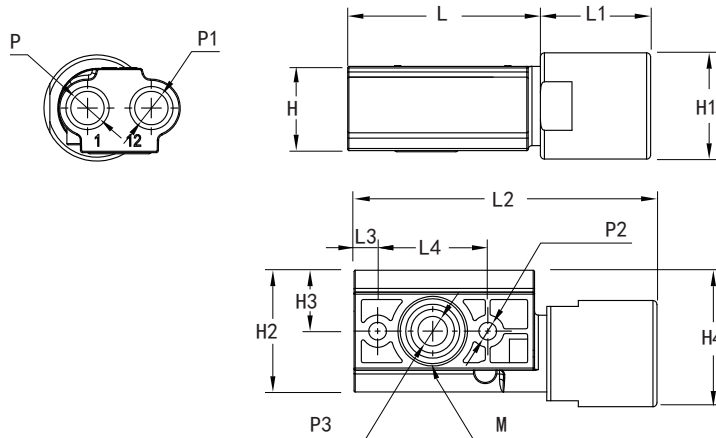
SECV	10
1	2

1-Series	2-Nozzle size		
SECV	Vacuum Generator	10	10mm

### SECV-10 Technical Data

Models	Nozzle	Use fluid	Temperature [°C]	Inlet pressure [Mpa]	Air consumption [L/Min]	Vacuum pressure reached [-Kpa]	Maximum vacuum flow [L/Min]	Weight [KG]
SECV-10	1mm	air	0~60(non-freezing)	0.4~0.6	50	85	35	0.1

### SECV-10 Design Data



SECV-10

Size[mm]

Models	P	P1	P2	P3	L	L1	L2	L3	L4	H	H1	H2	H3	H4	M
SECV-10	G1/8	G1/8	2-Ø4,5	Ø7,5	49	28	77	6	28	21,4	Ø27	31	15,5	35	1.5*1.6