

Suction Cups

HSXB

Flat suction cups for packaging industry

HANWHA



Packaging

Long life

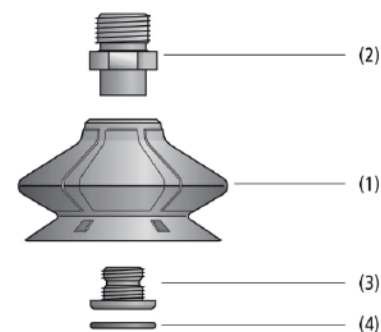
Product characteristics

- * Suction cups for optimal sealing on cardboard boxes and hard packaging
- * High intrinsic stability of suction cups during dynamic processes
- * The spacing element between the seal lip and the fold prevents the suction cup from moving
- * Large effective suction area, small suction, small suction
- * Elastomer HX material minimizes wear (approximately 3 times longer service life than NBR)



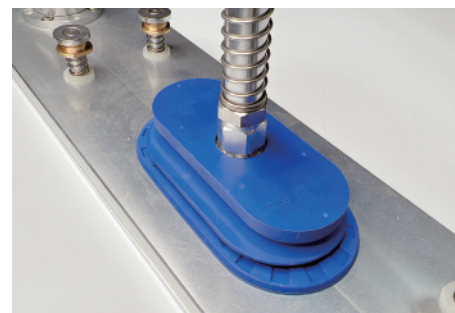
Product structure

- * Round corrugated sucker HSXB (1) with 1.5 fold and soft, flexible sealing lip
- * Made of wear-resistant elastomer HX
- * Models up to 30 mm in diameter have plug-in connection elements
- * Diameter from 40 mm, with two-piece connection element: consisting of machine side assembly (2) and suction side assembly (3)
- * Clamp filter (4) as pre-filter
- * All external threaded connection elements are equipped with an integrated seal on the fastening thread



Product advantages

- * 1.5 Fold corrugated suction cups
- * Internal support filter structure
- * Complete size specifications
- * Easy to fit the workpiece with an uneven surface, and has a certain cushioning effect to prevent permanent deformation
- * Suitable for various sizes and shapes of workpieces



* Installation example of the HSXB suction cup

Suction Cups

HSXB

Flat suction cups for packaging industry

HANWHA



Packaging Long life

HSXB Ordering NO

HSXB	20	FG01	HX
1	2	3	4

1-Series		2-Diameter		3-Screw thread	
HSXB	1.5 Folding cups	20~80	φ10~80mm	F Internal thread	G01-G1/8 G02-G1/4
4-Material ⁽¹⁾				M External thread	G01-G1/8 G02-G1/4
HX	High performance				

(1) Other materials can also be made, please contact us

HSXB Models Selection

Models	F-G01-G1/8	F-G02-G1/4	M-G01-G1/8	M-G02-G1/4
HSXB-20	◎		◎	
HSXB-25	◎		◎	
HSXB-30	◎		◎	
HSXB-40		◎		◎
HSXB-50		◎		◎
HSXB-60		◎		◎
HSXB-80		◎		◎

HSXB Technical Data

Models	Suction [N] ⁽²⁾	Lateral force [N] ⁽²⁾	Curve radius [mm]	Inner volume [cm ³]
HSXB-20	9.9	9.8	20	3.2
HSXB-25	14.9	13.0	20	5.3
HSXB-30	20.7	15.5	35	8.0
HSXB-40	35.9	24.8	70	18.4
HSXB-50	54.7	31.2	100	30.2
HSXB-60	78.0	49.4	100	49.3
HSXB-80	166.0	59.0	150	98.4

(2) The surface of the workpiece is smooth and dry, and the vacuum degree is -60KPa. The above data does not include the safety factor. Depending on the surface condition of the workpiece, the value may change.

Suction Cups

HSXB

Flat suction cups for packaging industry

HANWHA

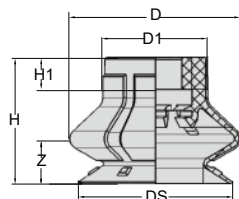


Packaging

Long life



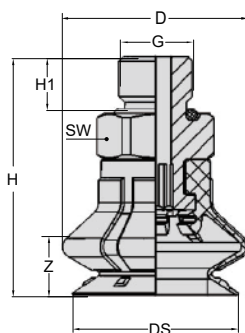
HSXB Design Data



Size[mm]⁽³⁾

Models	D	H	H1	DS	D1	Z	Weight [g]
HSXB20	24.6	18.0	4.6	21.4	15.1	8.0	1.4
HSXB25	29.0	21.0	4.6	26.4	15.1	11.0	1.8
HSXB30	34.2	23.0	4.6	31.4	15.1	13.0	2.2
HSXB40	44.6	30.0	7.0	41.4	21.6	16.0	4.5
HSXB50	55.2	32.0	7.0	51.4	21.6	18.0	5.8
HSXB60	65.7	36.0	7.0	61.4	21.6	22.0	6.3
HSXB80	82.7	45.9	15.3	81.4	27.1	23.5	7.3

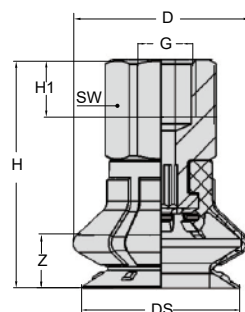
HSXB20-80 Dimension



Size[mm]⁽³⁾

Models	D	H	H1	G	DS	SW	Z	Weight [g]
HSXB-20-MG01	26.3	32	8.0	G1/8"	21.4	SW14	8	6
HSXB-25-MG01	31.3	35	8.0	G1/8"	26.4	SW14	11	7
HSXB-30-MG01	36.7	37	8.0	G1/8"	31.4	SW14	13	8
HSXB-40-MG02	48.0	48	12.0	G1/4"	41.4	SW17	16	21
HSXB-50-MG02	58.4	50	12.0	G1/4"	51.4	SW17	18	26
HSXB-60-MG02	69.6	54	12.0	G1/4"	61.4	SW17	22	33
HSXB-80-MG02	88.0	64	12.0	G1/4"	81.4	SW22	24	74

HSXB20-80 External thread



Size[mm]⁽³⁾

Models	D	H	H1	G	DS	SW	Z	Weight [g]
HSXB-20-FG01	26.3	32	8.0	G1/8"	21.4	SW14	8	7
HSXB-25-FG01	31.3	35	8.8	G1/8"	26.4	SW14	11	8
HSXB-30-FG01	36.7	37	8.0	G1/8"	31.4	SW14	13	9
HSXB-40-FG02	48.0	48	12	G1/4"	41.4	SW17	16	22
HSXB-50-FG02	58.4	50	12	G1/4"	51.4	SW17	18	27
HSXB-60-FG02	69.6	54	12	G1/4"	61.4	SW17	22	34
HSXB-80-FG02	88.0	64	12	G1/4"	81.4	SW22	24	78

HSXB20-80 Internal thread

(3) Compliant with DIN ISO 3302-1 M3 rubber parts allowable dimensional tolerances. Z is the trip